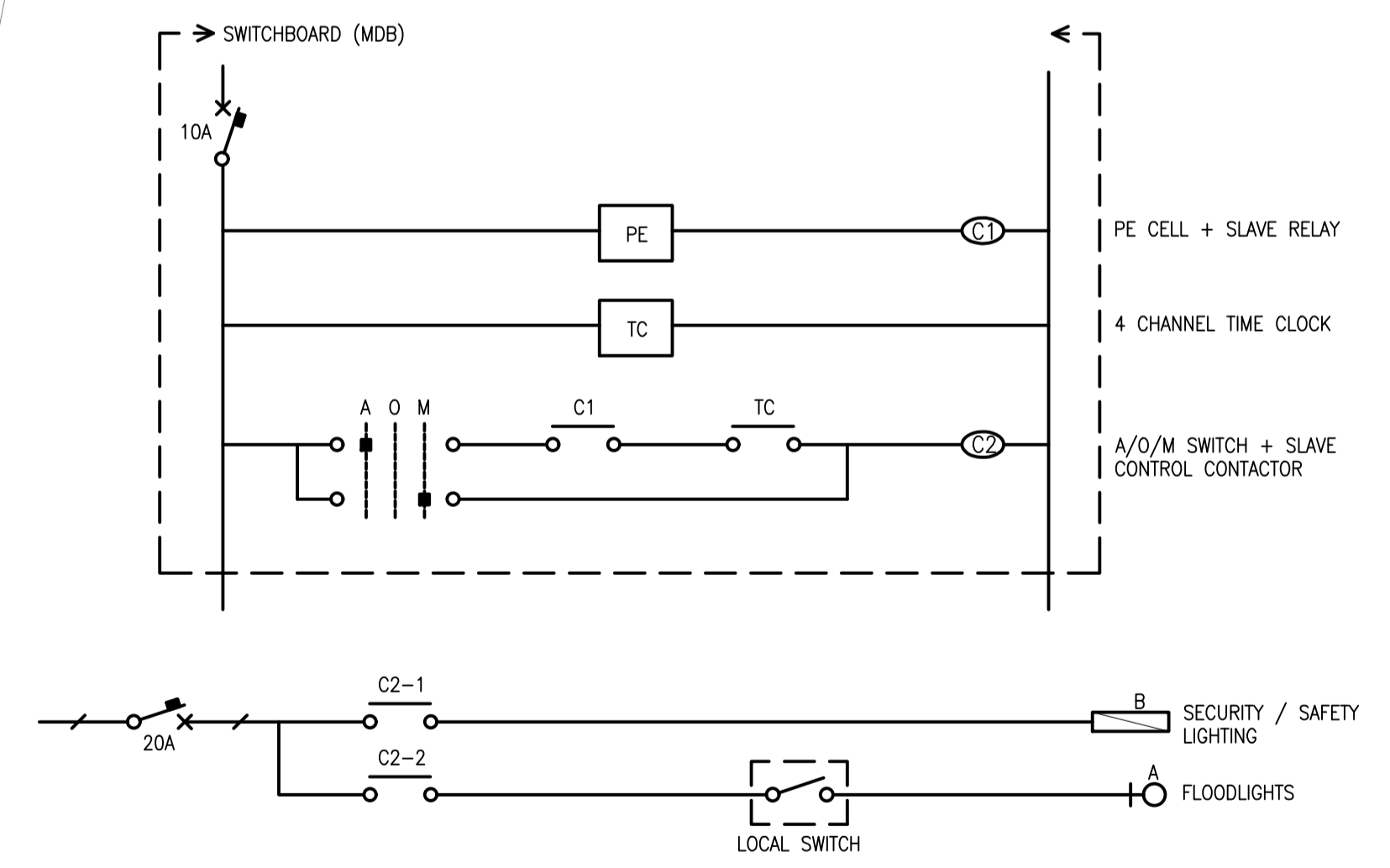


**LEGEND:**

- 10A SURFACE MOUNTED LED FLOODLIGHT
- B SURFACE MOUNTED LED WEATHERPROOF BATTEN
- DB ROC MAIN SWITCHBOARD
- UNDERGROUND CONDUIT
- ☒ PHOTO SENSITIVE LIGHT CONTROL SWITCH
- ☒ NTD NETWORK TERMINATION DEVICE



**LIGHTING CONTROL SCHEMATIC**  
N.T.S.

Date	Rev.	Description	Date	Am't	Description
19.11.20	P3	DA ISSUE			
17.11.20	P2	DA ISSUE			
16.10.20	P1	DA ISSUE			

© COPYRIGHT JOHN RAINERI & ASSOCIATES PTY LTD. ALL RIGHTS RESERVED  
This document is produced by John Raineri & Associates Pty Ltd solely for the benefit and use by the client in accordance with the terms of the retainer. John Raineri & Associates Pty Ltd does not and shall not assume any responsibility or liability whatsoever to any third party arising out of any use or reliance by third party on the content of this document.

PROJECT NORTH

CONSULTANT  
**JRA JOHN RAINERI & ASSOCIATES Pty Ltd**  
CONSULTING ENGINEERS  
Electrical - Mechanical - Fire - Building Services  
Unit 17, 169 Newcastle St. Fyshwick ACT 2609  
P.O. Box 3002 Manuka ACT 2603  
Tel No: 02 6280 8333 Fax No: 02 6280 8444  
Email: john@jracanberra.com.au

CLIENT

ARCHITECT

PROJECT  
**SELWYN SNOWFIELDS  
ELECTRICAL CABLING  
LAYOUT**  
213A KINGS CROSS RD, CABRAMURRA NSW 2629

DRAWING TITLE  
**ELECTRICAL SERVICES  
ROC SITE PLAN AND GROUND FLOOR  
DA - SUBMISSION**

JOB No JR1869	DATE OCT 2020	SCALE 1:100 @ A1
DRAWN BR	DESIGNED JR	CHECKED JR
DRAWING No <b>E201869-005</b>	REVISION <b>P3</b>	

NOTE: Check and verify all dimensions on site prior to commencing work. Dimensions are not to be scaled from drawing.